

# Contour 21 Washbasin Mixer Therm. Single Lever Sequential Copper Tails

## ILLUSTRATED

**A4169** (TP6) Contour 21 washbasin mixer thermostatic 1 hole, single sequential long lever, copper tails

### ILLUSTRATED PRODUCT DETAILS

#### Weights

**A4169** 2.85 KG

#### Finishes

**A4169**  Chrome (AA)

#### Materials

**A4169** Chrome Plated Brass

#### Flow rates

**A4169** 4.7 Litres per minute @ 3 bar pressure

#### Designer

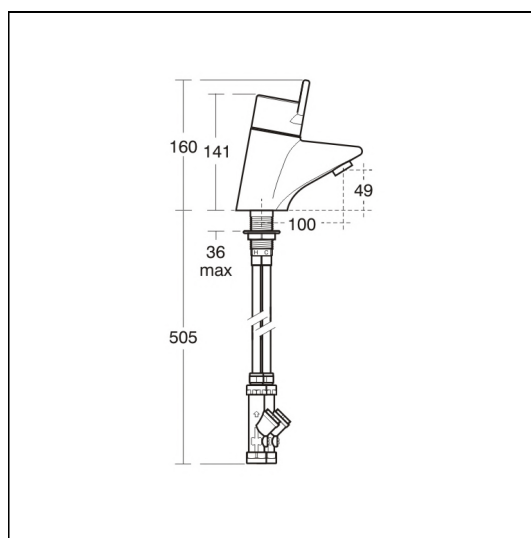
Robin Levien, RDI

#### Standards

Conforms to HTM64 (2006), HTM04 and Doc M. TMV 3 Thermostatic Mixing Valve approved.

#### Special Notes

Suitable for use with handrinse basins in public areas and Doc M. Satisfies DDA requirements. Meets the requirements laid out in HTM 64, HTM 04. Single easy use lever operates on/off and temperature control. Eliminates the need for premixed water. Suitable for high and low pressure systems. To ensure system hygiene and user safety the water flow always commences from cold. Traditional backnut fixing for added security. Fits into a standard pillar tap hole. Flow rate stays constant even when temperature setting is changed (providing supply pressure is 1.0 bar or higher). Flow rate limited to a practical economic level irrespective of supply pressure for suitability with high pressure supplies. Thermostatically set to 41°C with single lever to control flow of water. Durable and easy to clean finish. Supplied complete with strainer/check valves and flow limiters. Serviceable from above the basin (once supplies are isolated). Cartridge based system for easy servicing/repair.



### ACCREDITATIONS



### FEATURES

